

AHM-6XX6A Series

NEW PRODUCTS

Performance HMI/Intel Atom D525



AHM-6XX6A Series

AHM-6086A/AHM-6126A/AHM-6156A/AHM-6176A

External I/O Port



AHM-6086A



AHM-6126A



AHM-6156A



Accessible 2.5" SATA hard disk space



Features



Performance Intel Dual Core Fan-less Design



All Solid Capacitor Motherboard



Overlay Resistive Touch



LED Backlight LCD Panel



Supports DDR3 Memory

AHM-6XX6A Series

Performance HMI/Intel Atom D525

Specifications

Model No.	AHM-6086A	AHM-6126A	AHM-6156A	AHM-6176A
System				
Processor	Intel Atom D525 1.8 GHz			
System Memory	1 x 204-pin SO-DIMM socket, supports DDR3 800 Mhz, default 2GB			
System Chipset	Intel ICH8M			
External I/O Port	<ul style="list-style-type: none"> • 4 x USB ports • 2 x RJ-45 ports (GbE) • 1 x DB-15 VGA • 1 x DB-9 RS-232 • 1 x DB-9 RS-422/485 	<ul style="list-style-type: none"> • 4 x USB ports • 2 x RJ-45 ports (GbE) • 1 x DB-15 VGA • 2 x DB-9 RS-232 • 1 x DB-9 RS-422/485 • 1 x DC 3 Pin terminal block power input • 1 x 8 Pin terminal block 2in/2out GPIO, power switch and VCC • 1 x Audio Line-out 3.5mm jack 		
Solid Storage Disk	<ul style="list-style-type: none"> • 1 x 2.5" SATA HDD • 1 x CF Slot (Internal) 	<ul style="list-style-type: none"> • 1 x 2.5" SATA HDD • 1 x CF Slot (external slot for option) 		
Expansion Slots	None			
OS Support	Windows CE 6.0, XP Pro, XP Embedded, Windows Embedded Standard 7			
LCD				
Display Type	8" TFT-LCD	12.1" TFT-LCD	15" TFT-LCD	17" TFT-LCD
Max. Resolution	800x600	800x600	1024x768	1280x1024
Max. Color	262K	262K	16.2M	16.7M
Luminance (cd/m²)	350	350	400	550
View Angle	H:130° / V:110°	H:140° / V:110°	H:160° / V:140°	H:170° / V:160°
Backlight Lifetime	50,000 hrs			
Touch Screen				
Type	Overlay Resistive Touch		Resistive Touch	
Light Transmission	80%			
Power Supply				
Power Input	DC 12V / DC 11-32V (option)			
Mechanical				
Construction	Plastic molding front panel and metal housing		Heavy-duty steel front panel and housing	
IP Rating	Front Panel IP 65			
Mounting	VESA 75x75 Mount			
Dimension	231(W)x176(H)x76.3(D) mm	317(W)x243(H)x76.6(D) mm	410(W)x310(H)x70.55(D) mm	439(W)x348(H)x71.1(D) mm
Net Weight	3.5kgs	5.82kgs	10kgs	TBD
Environmental				
Operating Temperature	0-50 °C			
Storage Temperature	-30-60 °C			
Storage Humidity	10-90% @40 °C non-condensing			
Certificate	CE/FCC Class A			

Ordering Information

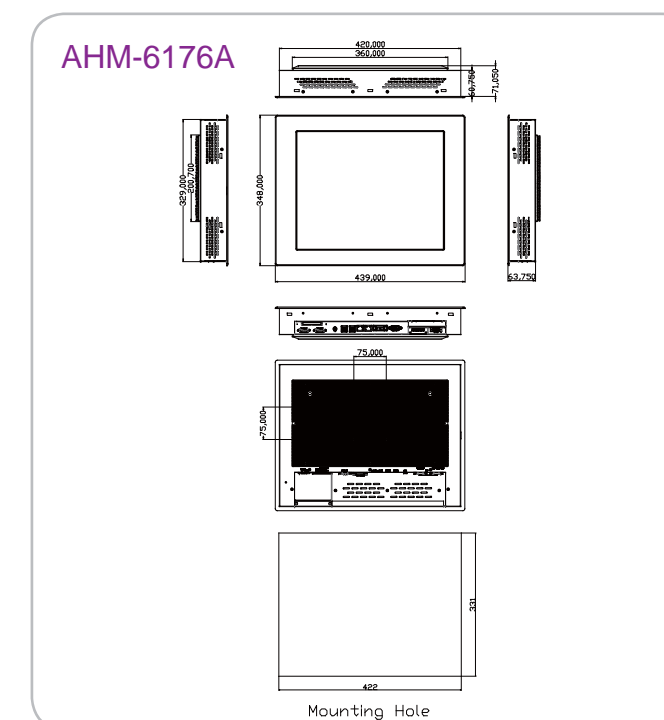
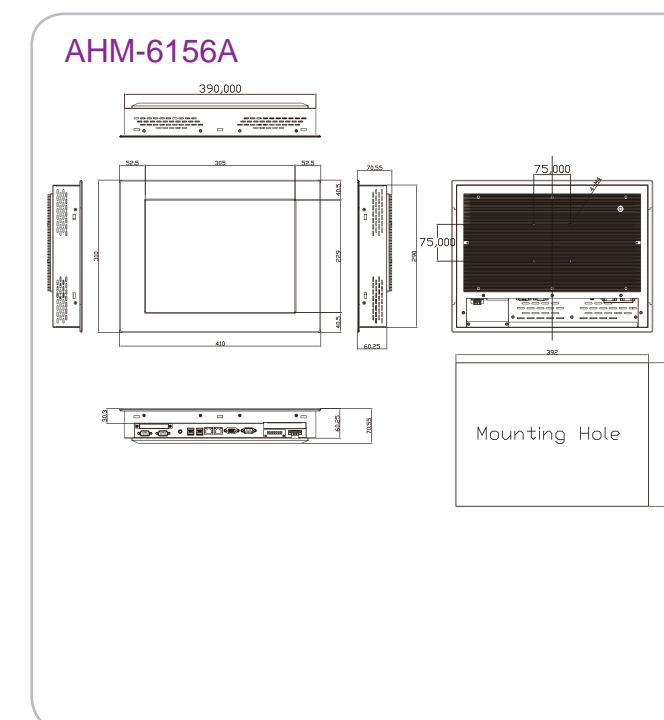
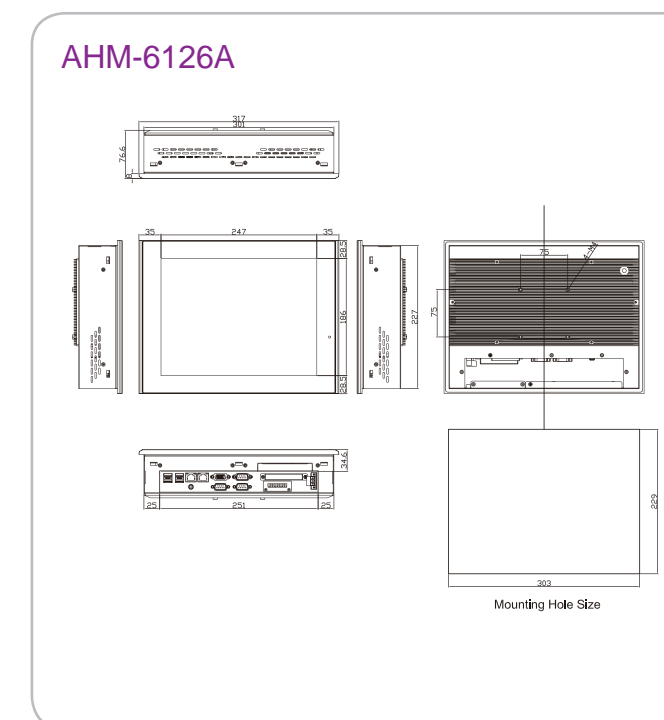
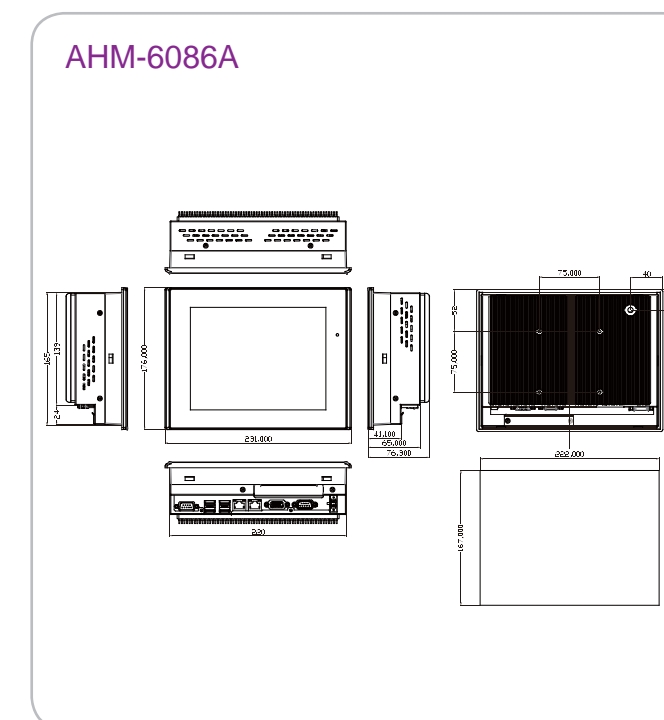
Model	Description
AHM-6086A	8" SVGA 800 x 600 fanless HMI with Atom D525 1.8G CPU,2GB DDR3 800MHz memory, overlay resistive touch screen , 12VDC input with adaptor, plastic front/Steel back
AHM-6126A	12" SVGA 800 x 600 fanless HMI with Atom D525 1.8G CPU,2GB DDR3 800MHz memory, overlay resistive touch screen , 12VDC input with adaptor, plastic front/Steel back
AHM-6126A	12" SVGA 800 x 600 fanless HMI with Atom D525 1.8G CPU,2GB DDR3 800MHz memory, overlay resistive touch screen , 11-32VDC input with adaptor, plastic front/Steel back
AHM-6156A	15" XGA 1024 x 768 fanless HMI with Atom D525 1.8G CPU,2GB DDR3 800MHz memory, resistive touch screen , 12VDC input with adaptor, Steel enclosure
AHM-6156A	15" XGA 1024 x 768 fanless HMI with Atom D525 1.8G CPU,2GB DDR3 800MHz memory, resistive touch screen , 11-32VDC input with adaptor, Steel enclosure

AHM-6XX6A Series

AHM-6086A/AHM-6126A/AHM-6156A/AHM-6176A

Dimensions

unit:mm



Ordering Information

Model	Description
AHM-6176A	17" SXGA 1280 x 1024 fanless HMI with Atom D525 1.8G CPU,2GB DDR3 800MHz memory, resistive touch screen , 12VDC input with adaptor, Steel enclosure
AHM-6196A	19" SXGA 1280 x 1024 fanless HMI with Atom D525 1.8G CPU,2GB DDR3 800MHz memory, resistive touch screen , 12VDC input with adaptor, Steel enclosure